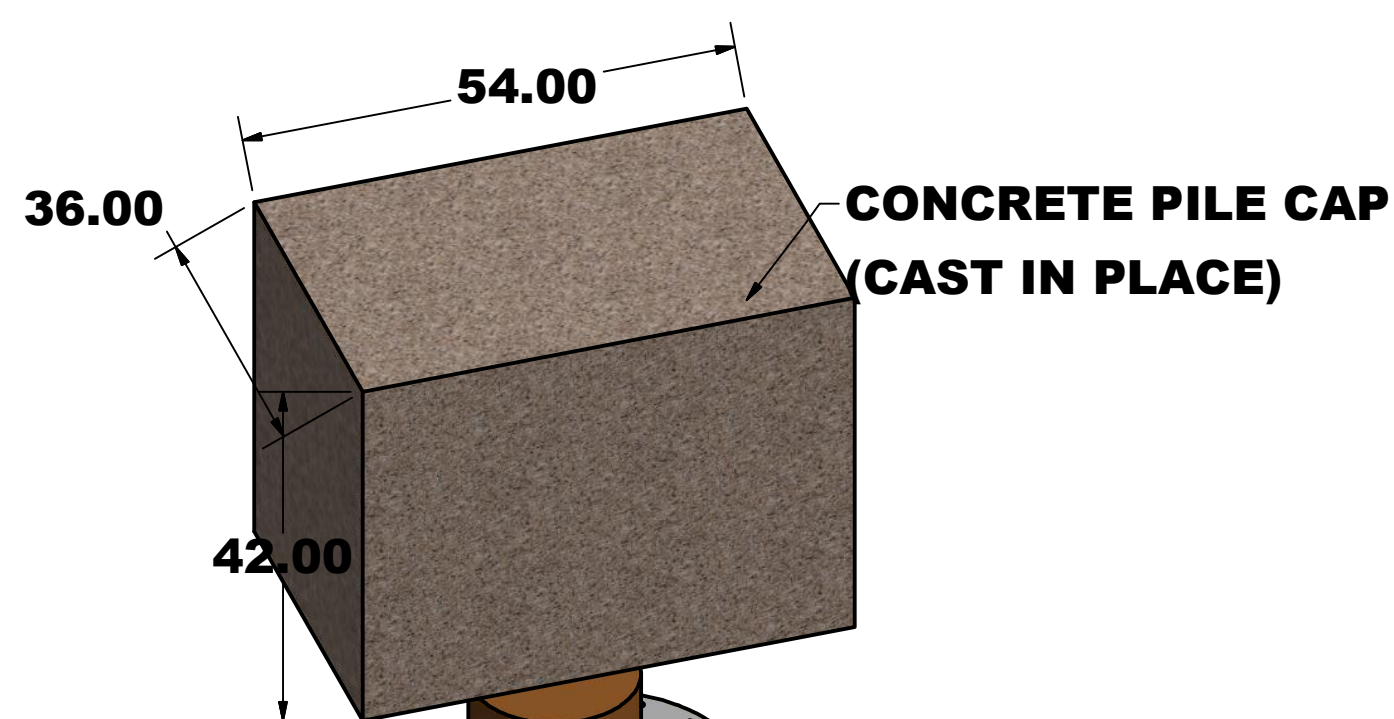




PILECAPINC.COM
913.948.8340



CONCRETE PILE CAP
(CAST IN PLACE)

D

D

C

C

B

B

A

A

HILTI KWIK BOLT TZ
CS-5/8(4) ANCHOR BOLTS
4X PER SECTION
(12 PER PILE)

ANCHOR BOLT
EMBEDED DEPTH IN
CONCRETE: 10"

CONCRETE ANCHOR NUT
TORQUE TO
MANUFACTURER
RECOMMENDATIONS
USING A HAND POWERED
TORQUE WRENCH

ANCHOR FLANGE

JACKET (A572 GRADE 50)

STEEL PILE
18" OD, 3/8" WALL



1" DIA X 3.5" L HDG A 325 HEX BOLT
WITH 1" HEAVY HEX NUT (A563)

BOLTS PRETENSIONED TO 8 kips

2 X 1" HDG F436 FLAT WASHER PER
BOLT

108 HEX BOLTS, 216 WASHERS, 108
NUTS PER PILE

JACKET WEIGHT: 850 LBS
(PER SECTION)

US PATENT #6561736

18 FOOT JACKET ON 18" PILE

4

3

2

1

4

3

2

1



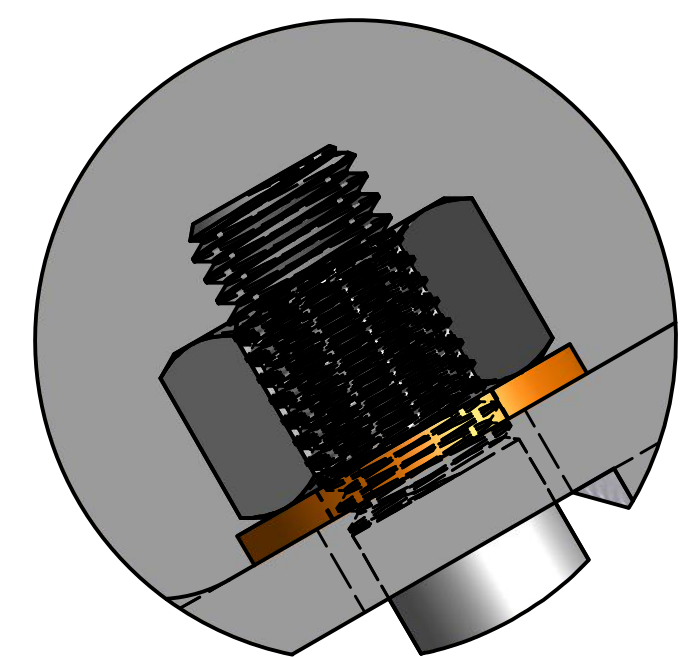
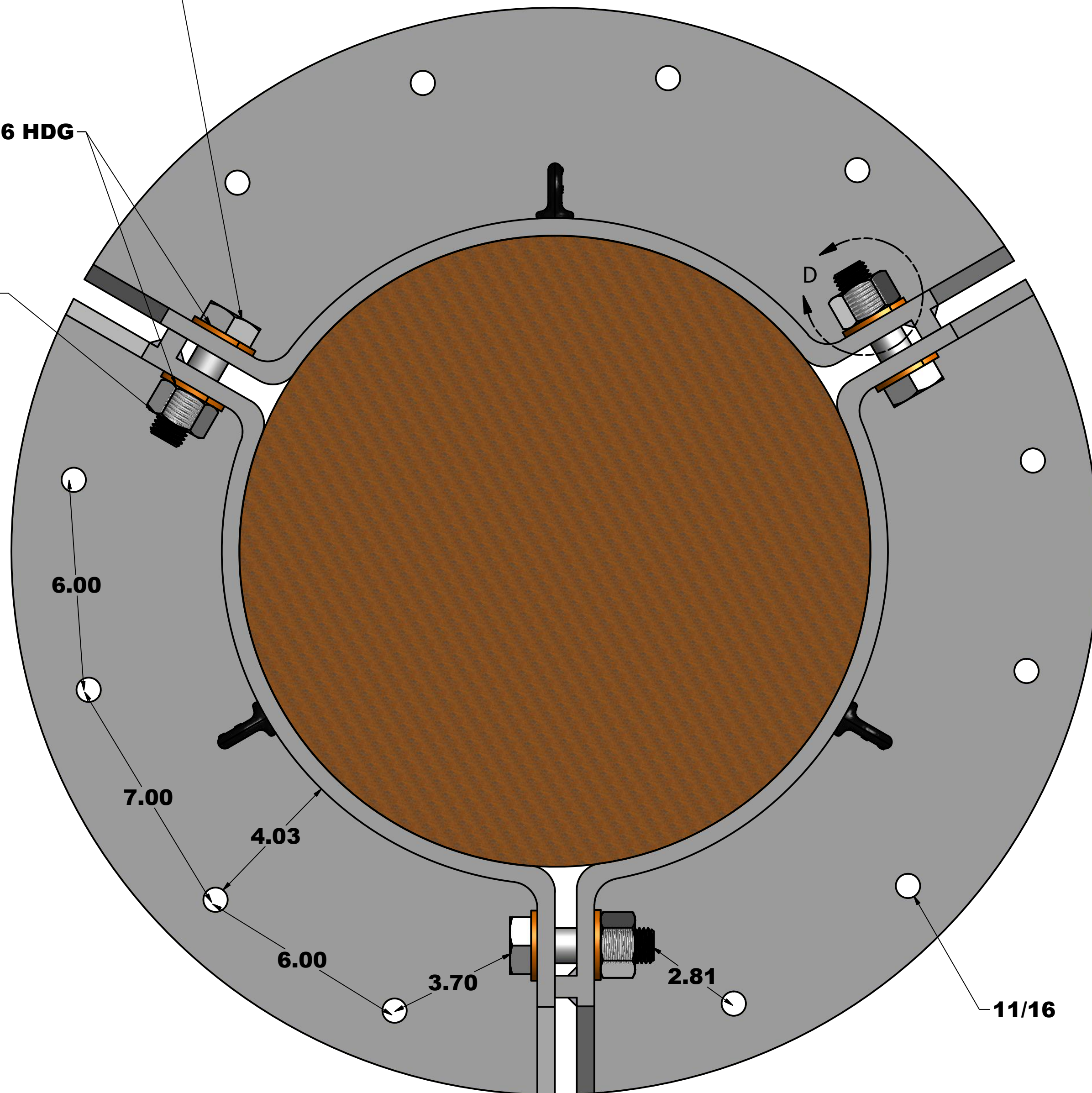
PILECAPINC.COM
913.948.8340

PRETENSION TO 8 kips

1" DIA x 3.5"L HDG A325 BOLT

2X 1" WASHER F436 HDG

1" NUT HDG A563



DETAIL D
SCALE 1

11/16

US PATENT #6561736

BOLT DIAGRAM

PILECAPINC.COM ALL DIMENSIONS IN INCHES MATERIAL:

REVISION DATE: 12/3/2015

PROPRIETARY AND CONFIDENTIAL